



No more hand getting wet during the raining day

AR200U

Our EXRF penetrative technology allows you to flash card comfortably from inside of your car without wind down your window

- ✓ Make your lifestyle more convenient.
- ✓ More affordable passive card - does not require battery.
- ✓ Decrease risk of robbery at car point.
- ✓ Add premium prestige reputation to your residential or commercial building.
- ✓ Reduce overall system cost. No need to install expensive awning or shade which is not effective during heavy rain. Awning also require maintenance.



New version
EXRF
Extended RF
Technology



CDS18L Mid Range Card
Reading range 70 cm to 120 cm



Features

Extended range at affordable price

MAG AR200U is an extended range 125kHz RFID proximity reader. AR200U can effectively penetrate solar film and allows CDS18L mid range proximity card to be read from inside the car without winding down windows. CDS18L does not require battery therefore it is more affordable and no maintenance. You can truly enjoy the benefit and convenience of our EXRF technology.

RF interference indicator

LED display indicate level of RF interference at site. LED display make it easy to determine best location with minimum interference for reader installation. This help you to install the reader at correct location and achieve full potential reading range at every site.

Auto tuning function

Built in advanced circuitry that will automatically tune frequency shift to compensate the presence of metal and interference at site. This ensure that you always get optimum performance achievable at site.

Standard Wiegand data output

AR200U send out card number via standard wiegand (WG26, WG34, WG40) interface output that is supported by most access controller in the world.

*Final achieved reading range will depend on type of solar film installed and site noise interference.

Accessories

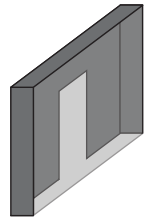
Gooseneck
GSSD



Surge Protector
PD24/7.5, PSP24, TP-LAN

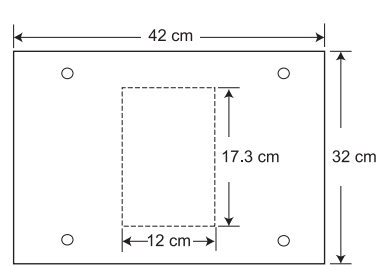


Weatherproof Housing
AR200HSE

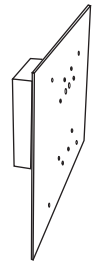


Mounting Bracket - AR200BKT

Acrylic Mounting Bracket to mount AR200U to Gooseneck

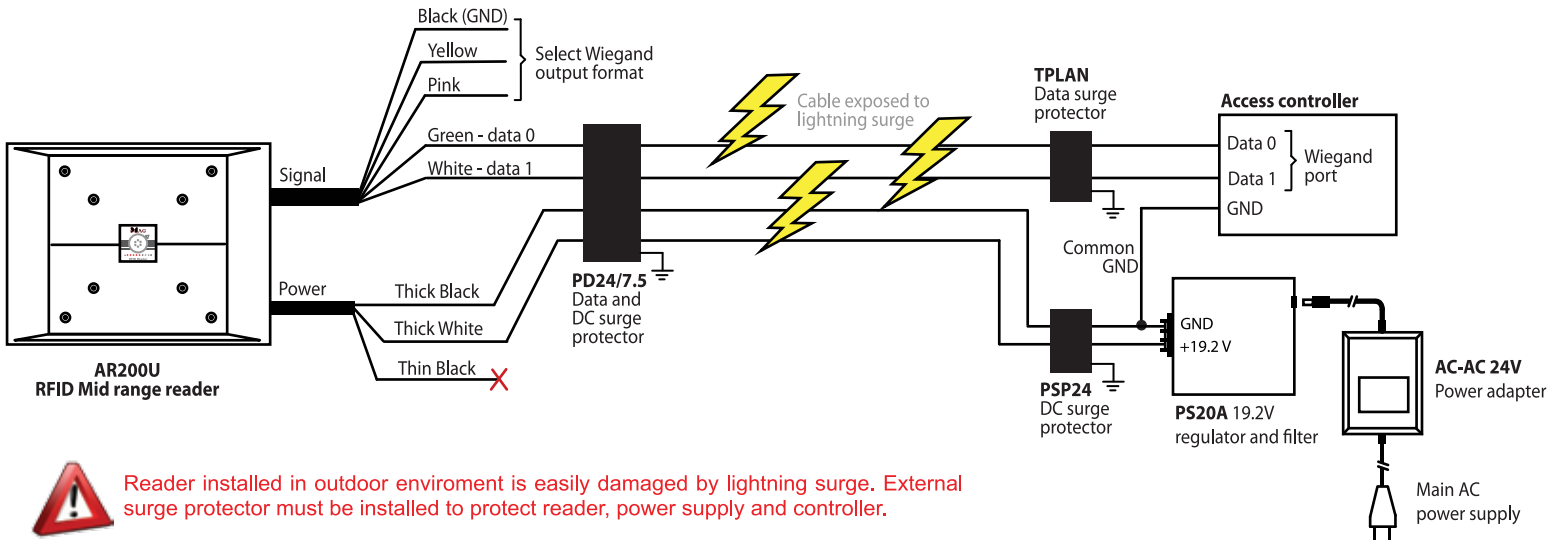


Front view



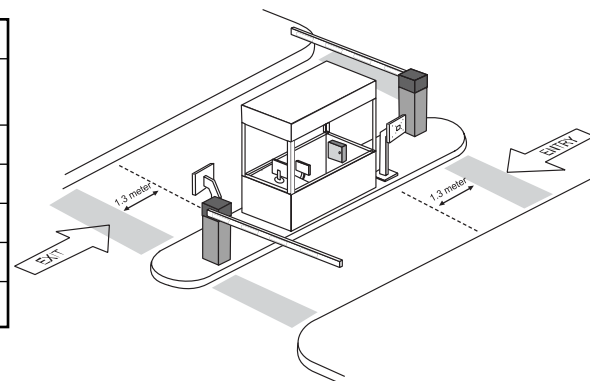
Side view

Wiring Diagram



Specification

Data interfaces	Wiegand 26, 34, 40 bits selectable by wire connection
Nominal reading range with CDS18L (Reading range cannot be guaranteed if not using CDS18L)	70 to 120 cm depending on type of solar film and noise interference at site
RFID (proximity) cards accepted	125KHz, 64 bits, Manchester encoding
Operating Temperature range	-10 to +60°C
Dimensions	430 x 320 x 45 mm
Packing carton dimensions (with power supply)	480 x 480 x 110 mm
Gross packing weight (with power supply):	2.3 kg



All specification, drawing and product info are subject to change without prior notice.